



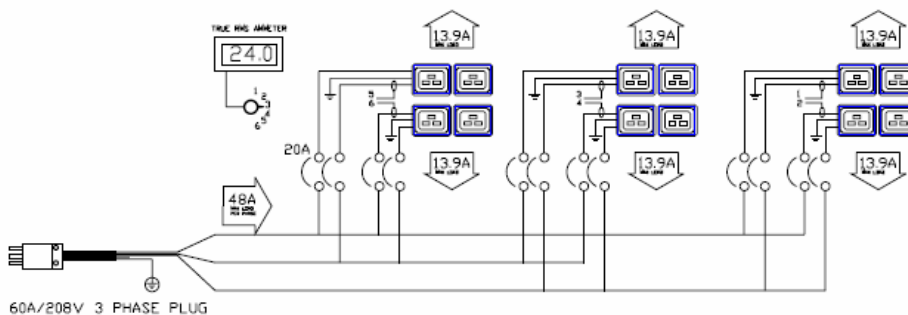
NEW 60A, 208V (Three Phase) Blade Server PDU

Designed for high-density blade servers, Aphel's new DBH2 metered units provide maximum power and flexibility. Employing C19 or L6-15 outlets and the Easy-Read™ digital ammeter, these units offer unmatched capability and performance for today's high performance equipment.



DBH2-10005 (shown) can be used with Optional Satellite units to support smaller equipment. Easy-Read™ digital ammeter can be viewed from as far as 12 feet or through the enclosure door perforation.

- 17,200 Watts in 2U format supports quadruple-corded servers
 - Application #1: Three servers at 3.3kW, plus three servers at 2.5kW
 - Application #2: Six servers at 2.9kW
- Fuseless design reduces equipment reset time and MTTR
- Optional Satellite units support smaller servers and ancillary equipment
- Datacenter grade receptacles support servers and network equipment
- Easy-Read™ digital ammeter reduces local monitoring time
- Certified to UL60950-1 to meet current hardware standards
- Branch Circuit Breakers meet UL489 requirements



60A/208V 3 PHASE PLUG

PART NUMBER	SOURCE		PLUG		OUTLETS		DIMENSIONS			POWER Watts*
	Volts	Amps	Type	Cord	Type	Qty.	W	H	D	
Power Distribution Units (Metered)										
DBH2-10005	208V/3P	60A	IEC309	10'	C19	12	19	2U	18	17.2kW
DBH2-10006					L6-15R	12			18	
Optional Satellite Units										
MS-10010	208V	20A	C20	6'	C13	8	1.6	16	1.6	3.3kW
MS-10009						16		27		

* Per rating per Source; power derated to 80% in accordance with NEC requirements Dated DBH2-0206

For additional information, please call 978.928.1488 or email sales@apheltechnologies.com